

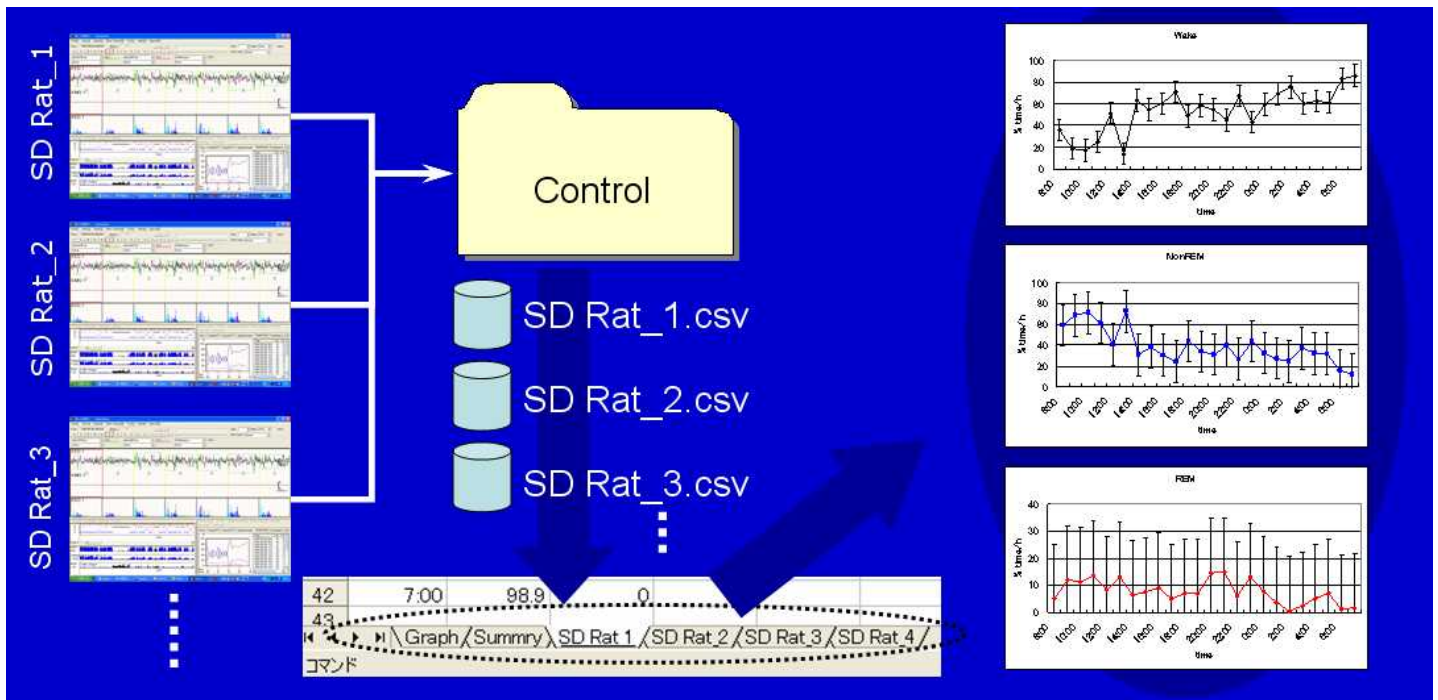
Quick report making with Excel spread sheet

SleepSign itself does not have a statistic analysis feature. Most of our customers export analysis parameters of each animal to a spread sheet program and carry out statistic analysis there.

SleepSign has a useful feature to assist statistic analysis by combining multiple CSV files to make it an excel sheet. Click here for detail.

(1) Compile CSV files from multiple animals in one Excel sheet.

Operation: In the workspace window, select **Report-Bind up CSV**.



(2) Compile CSV files of multiple parameters in one Excel sheet

Operation: In the workspace window, select **Report-Animal Report**, and check **Output as one Excel book**.

